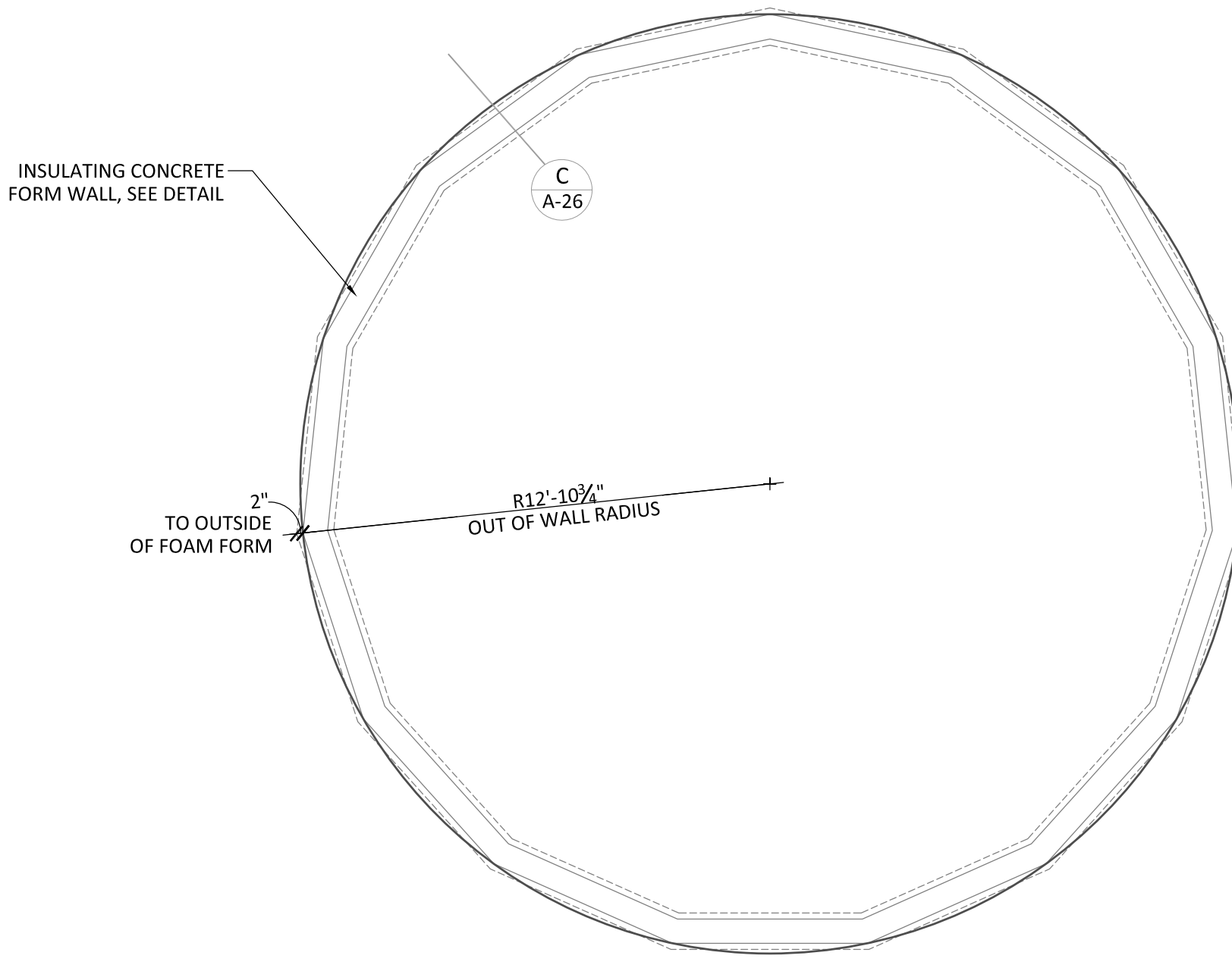


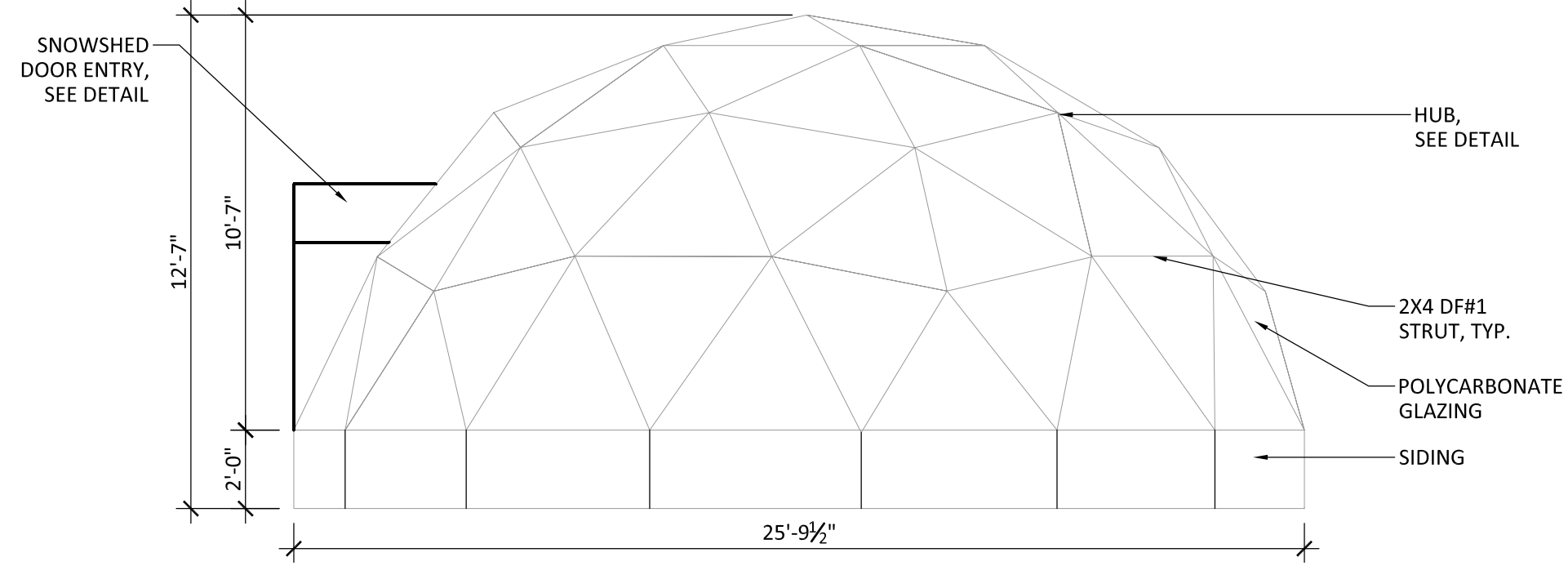
FRAMING/FLOOR PLAN

SCALE: 1/4" = 1'-0"



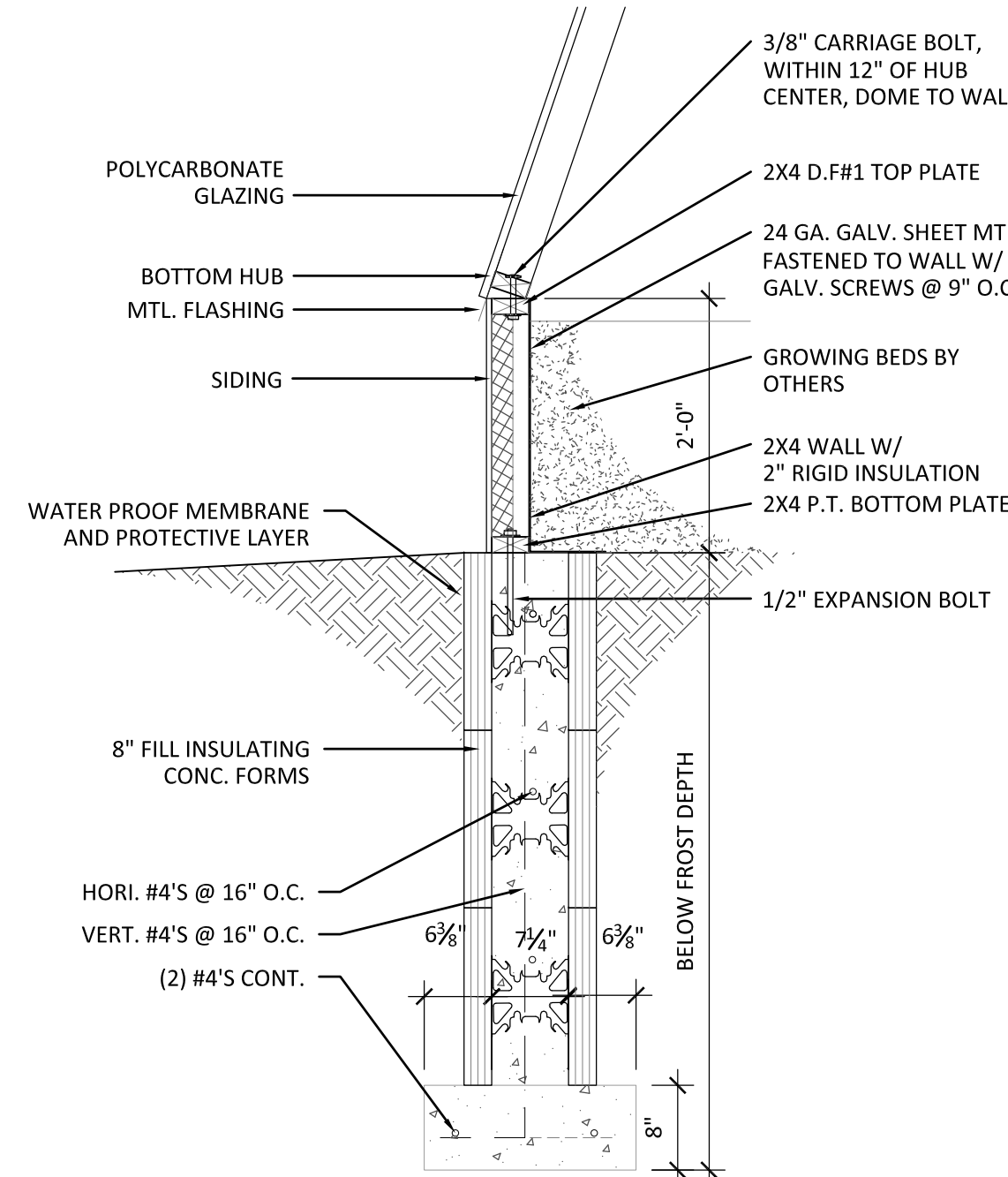
FOUNDATION PLAN

SCALE: 1/4" = 1'-0"



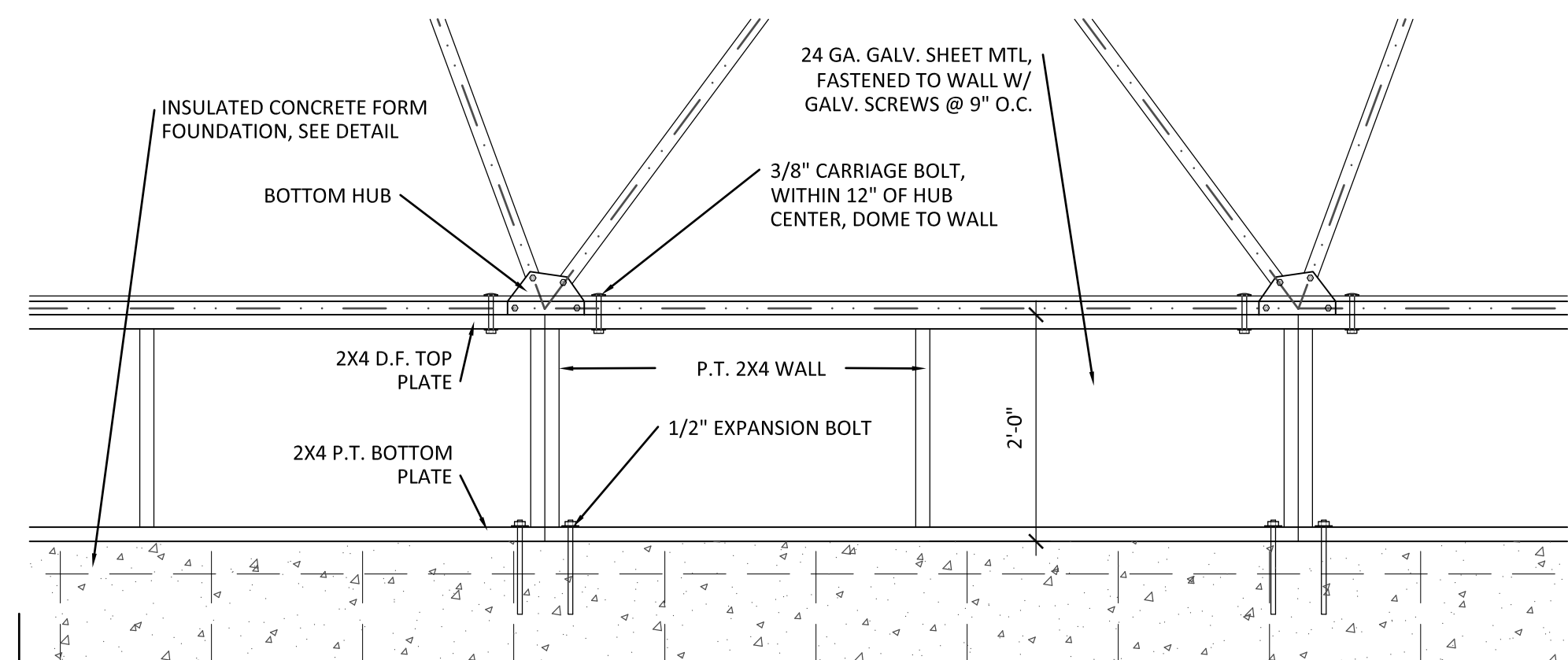
SIDE ELEVATION

SCALE: 1/4" = 1'-0"



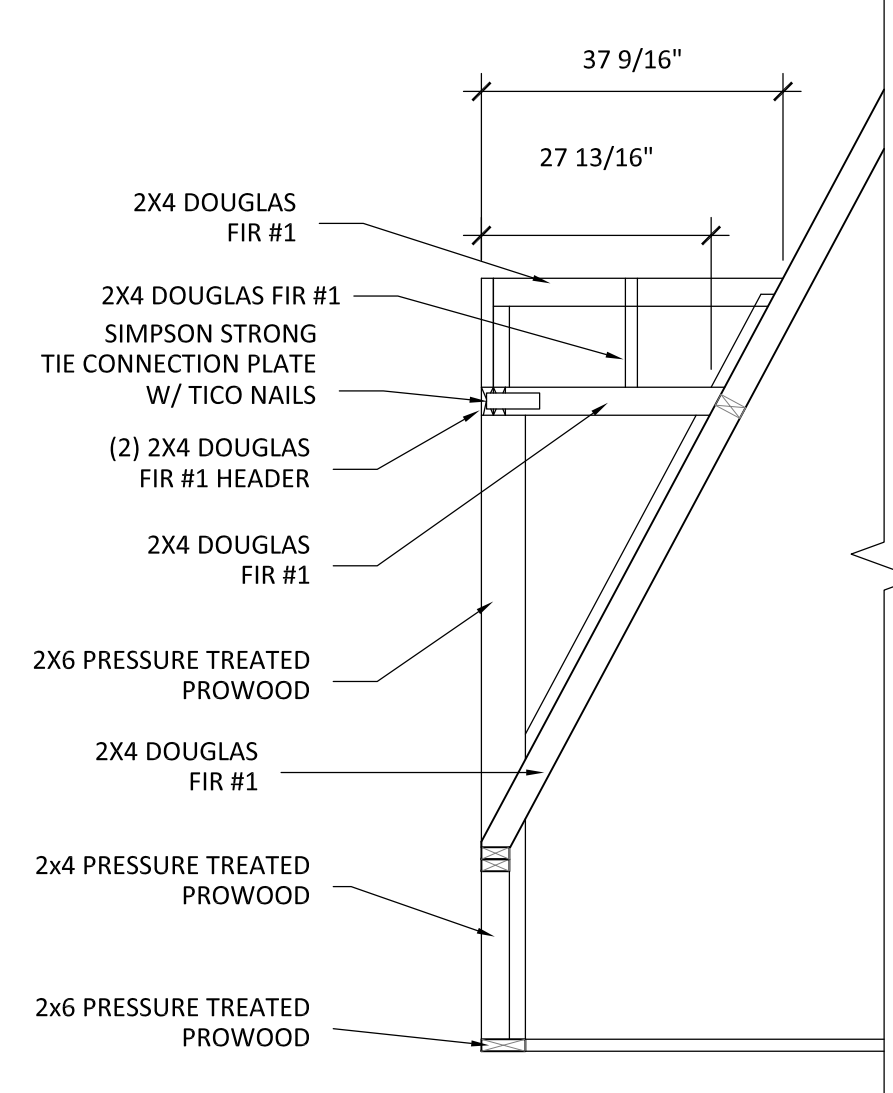
INSULATED CONCRETE FOOTING DETAIL

SCALE: 3/4" = 1'-0"



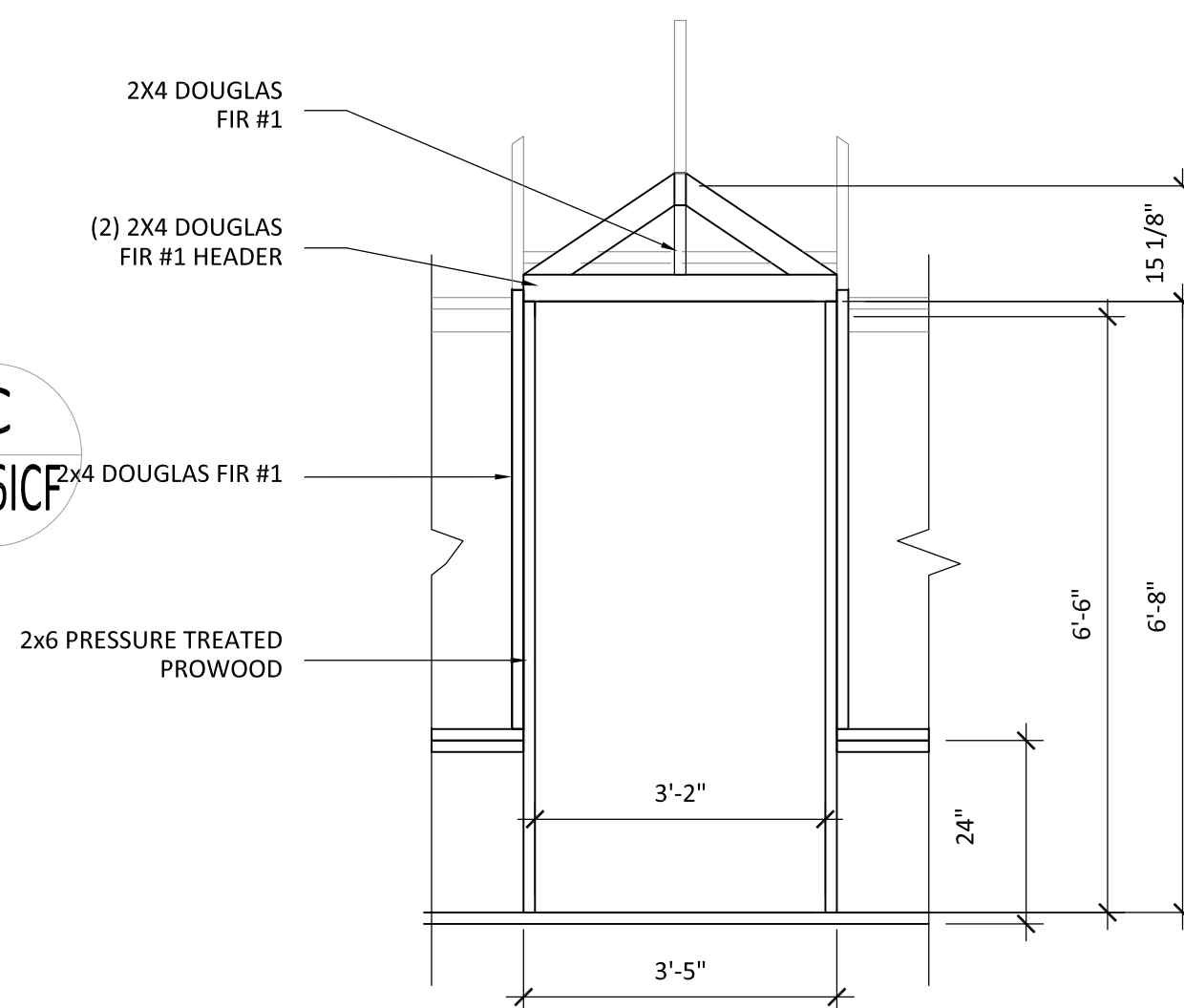
TYP. WALL ELEVATION DETAIL

SCALE: 3/4" = 1'-0"



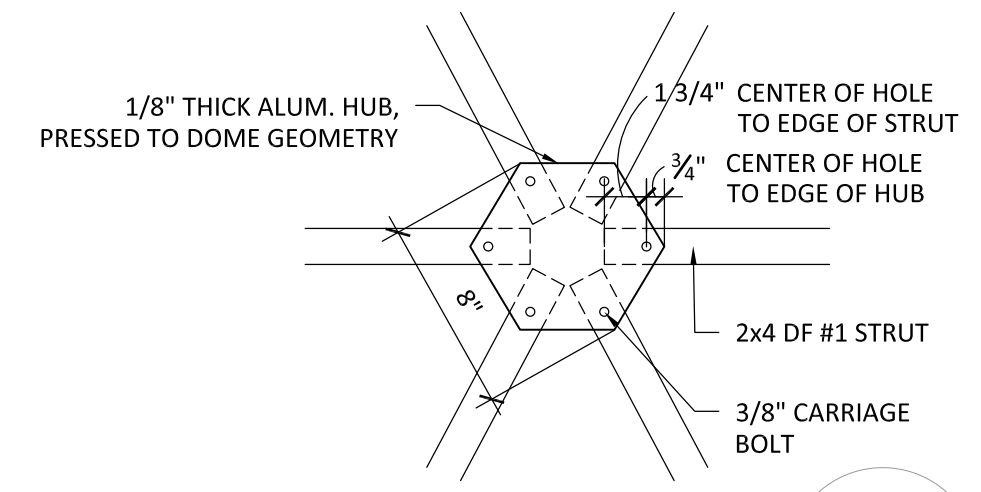
SNOWSHED DETAIL D

SCALE: 1/2" = 1'-0"
A-26/ICF



SNOWSHED DETAIL E

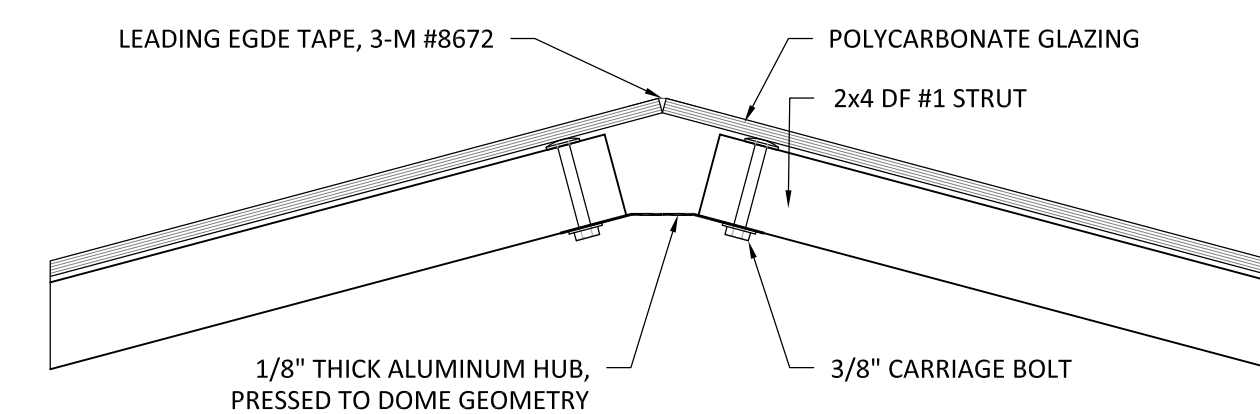
SCALE: 1/2" = 1'-0"
A-26/ICF



TYP. HUB PLAN

SCALE: 1 1/2" = 1'-0"

A-26/ICF



TYP. HUB DETAIL G

SCALE: 1 1/2" = 1'-0"

A-26/ICF

GROWING SPACES GROWING DOMES
GENERAL CONSTRUCTION NOTES AND SPECIFICATIONS

STRUCTURAL DESIGN CRITERIA:

1. CODES: 2015 IBC/IRC
2. DESIGN LIVE LOADS:
FLOOR - NONE
ROOF - LIVE LOAD: 20 PSF
- DEAD LOAD: 15 PSF
- SNOW LOAD: 75 PSF
- WIND LOAD: 115 MPH
3. SOILS: AT ALL FOUNDATIONS, A MINIMUM SOILS BEARING CAPACITY OF 1500 PSF IS REQUIRED.

REINFORCED CONCRETE:

1. STRUCTURAL CONCRETE SHALL CONFORM TO ACI 301 SPECIFICATIONS AND DEVELOP A MINIMUM COMPRESSIVE STRENGTH AT 28 DAYS OF:
FOOTINGS: 3000 PSI, 4" MAX. SLUMP
STEMWALLS/BASEMENT WALLS: 3500 PSI, 4" MAX. SLUMP
INTERIOR FLATWORK: 3500 PSI, 5" MAX. SLUMP
EXTERIOR FLATWORK: 4000 PSI, 5" MAX. SLUMP
2. ALL AGGREGATE FOR NORMAL WEIGHT CONCRETE SHALL MEET ASTM C33. MIX DESIGN SHALL CONTAIN 50% COARSE AGGREGATES
3. REINFORCING STEEL SHALL BE NEW DEFORMED BARS, FREE FROM RUST, SCALE AND OIL, CONFORMING TO ASTM A-615, GRADE 40, WITH A MINIMUM YIELD STRENGTH OF 40,000 PSI.
4. LAP CONTINUOUS REINFORCEMENT 48 BAR DIAMETERS (1'-6" MINIMUM) OR AS NOTED OTHERWISE.
5. TERMINATE ALL DISCONTINUOUS TOP BARS WITH STANDARD 90° HOOK (PLACED VERTICALLY) UNLESS NOTED OTHERWISE ON STRUCT. DETAILS
6. PROVIDE THE FOLLOWING CONCRETE COVERAGE OVER REINFORCING:
FOOTINGS (AGAINST EARTH) 3" CLEAR
WALLS (INTERIOR FACE) 3/4" CLEAR
WALLS (EXTERIOR FACE) 1 1/2" CLEAR

STRUCTURAL STEEL:

1. ALL METAL IN CONTACT WITH TREATED WOOD SHALL BE GALVANIZED OR STAINLESS STEEL.
2. EXPANSION BOLTS TO PIERS SHALL BE ZINC PLATED OR STAINLESS STEEL.
3. CARRIAGE BOLTS CONNECTING STRUTS AND HUBS SHALL BE ZINC PLATED.
4. SCREWS FASTENING POLYCARBONATE TO STRUTS SHALL BE 12GA X 1.5" STAINLESS STEEL WOOD SCREWS.
5. ALUMINUM HUBS ARE 1/8" THICK 5052-H32 ALUMINUM PRESSED TO DOME GEOMETRY.
6. SHEET METAL INNER WALL IS 24GA GALVANIZED STEEL. FASTEN TO WALL WITH #10 X 3/4" GALVANIZED STEEL SCREWS AT 9" O.C. TO ALL WALL PLATES AND STUDS.

WOOD:

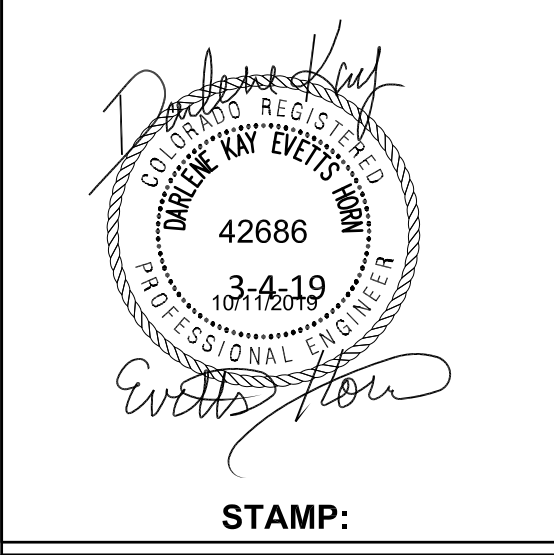
1. ALL WOOD CONSTRUCTION AND CONNECTIONS SHALL CONFORM TO AITC "AMERICAN INSTITUTE OF TIMBER CONSTRUCTION" MANUAL, AND THE "NATIONAL DESIGN SPECIFICATIONS FOR WOOD CONSTRUCTION", AND THE MOST CURRENT ADOPTED EDITION OF THE INTERNATIONAL BUILDING CODE.
2. ALL DOME STRUTS SHALL BE DF #1, SIZED AS:
15' DOME: 2X3
18' DOME: 2X4
22' DOME: 2X4
26' DOME: 2X4
33' DOME: 2X4
42' DOME: 2X6
3. ALL WALL STUDS AND BOTTOM PLATES SHALL BE PRESSURE TREATED DF #1, SIZED AS:
15' DOME: 2X4
18' DOME: 2X4
22' DOME: 2X4
26' DOME: 2X4
33' DOME: 2X6
42' DOME: 2X6
4. ALL WOOD IN CONTACT WITH GRAVEL, CONCRETE OR MASONRY SHALL BE PRESSURE TREATED. ALL WOOD IN CONTACT WITH THE GROUND/GRAVEL SHALL COMPLY WITH THE REQUIREMENTS OF SECTION R402.1 OF THE 2015 IRC FOR WOOD FOUNDATIONS, OR 2015 IBC REQUIREMENTS FOR WOOD FOUNDATION AS APPLICABLE.
5. ALL BOLTS FOR BOLTED CONNECTIONS SHALL CONFORM TO ASTM A307. USE WASHERS BETWEEN WOOD AND BOLT HEADS AND NUTS.
6. ALL METAL WOOD CONNECTORS SHALL BE AS MANUFACTURED BY SIMPSON STRONG TIE CO. (OR APPROVED EQUAL) AND SHALL BE GALVANIZED.
7. UNLESS NOTED OTHERWISE ON PLANS, PROVIDE DOUBLE STUDS AT ALL JAMBS OF OPENINGS UP TO 6'-0".

THERMAL AND MOISTURE PROTECTION:

1. WALL INSULATION IS R-11, 2" RIGID POLYSTYRENE.
2. EXTERIOR PERIMETER GROUND INSULATION IS R-11, 2" RIGID POLYSTYRENE, TYPE IX.
3. ALL UNTREATED WOOD SHALL BE FINISHED WITH LIFETIME WOOD TREATMENT.
4. POLYCARBONATE SEAMS ARE TAPED WITH 'LEADING EDGE TAPE', 3M #8672

DOORS AND WINDOWS:

1. GLAZING IS POLYCARBONATE (16MM 5 WALL OR 8MM TWIN WALL) FASTENED TO STRUTS WITH 1.5" STAINLESS STEEL SCREWS @ 12" O.C.
2. DOOR IS RESIDENTIAL STORM DOOR WITH LOCK.



GROWING SPACES
26' GROWING DOME
w/ INSULATED CONCRETE FOUNDATION

PROJECT NUMBER: 2018-029	ISSUE RECORDED:
DRAWN BY: DKH	DATE:
REVIEWED BY: DKH	DATE:

A26-ICF
26' DOME
IFC FOUNDATION