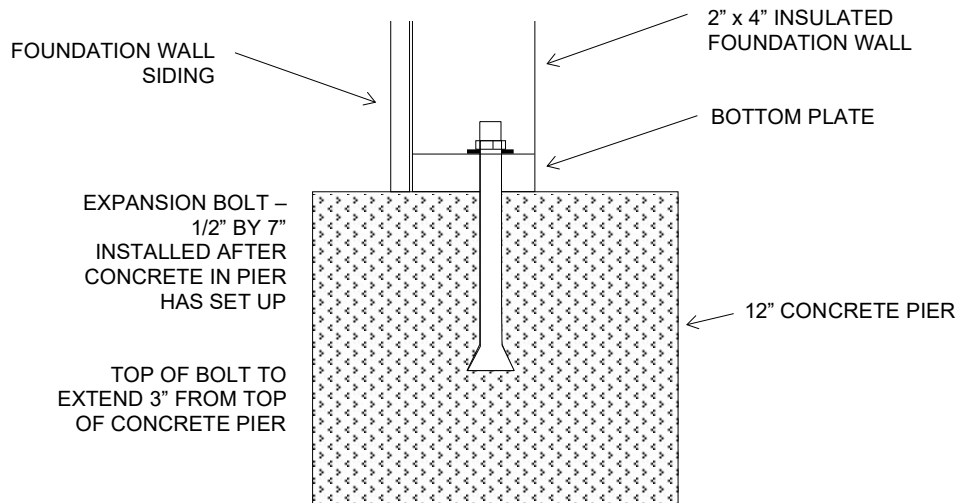




26' GROWING DOME ANCHORING DETAIL For Concrete Piers Foundation

CROSS SECTION



TOP VIEW OF FOUNDATION WALL ON 12" CONCRETE PIER

