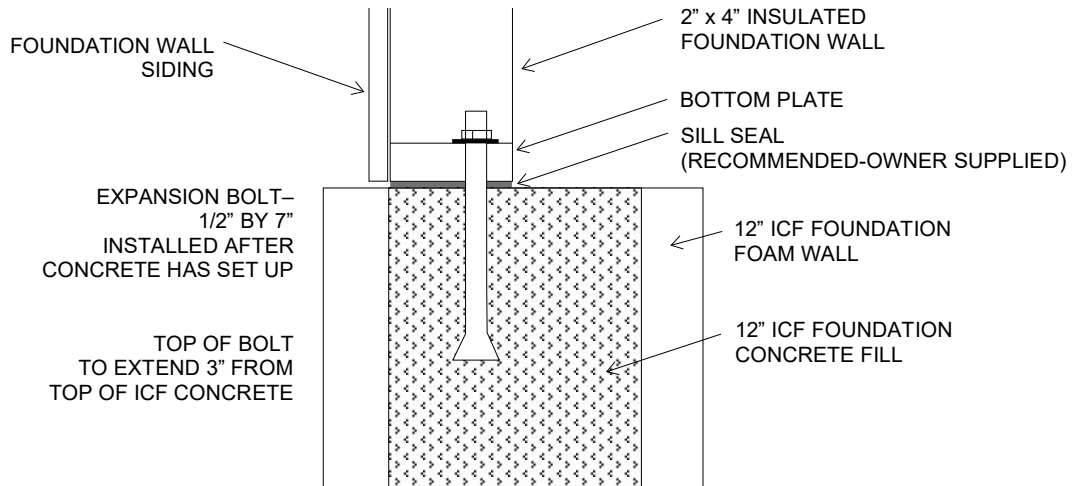




# 26' GROWING DOME ANCHORING DETAIL To ICF/Concrete Foundation

## CROSS SECTION

ANCHORING GROWING SPACES PROVIDED FOUNDATION WALL TO INSULATED CONCRETE FORMS (ICF) OR CONCRETE FOUNDATION



NOTE: IF AN ICF OR CONCRETE WALL IS BUILT ON TOP OF AN ICF FOUNDATION, AN ICF/CONCRETE WALL PACKAGE WILL BE REQUIRED. CONTACT GROWING SPACES WITH SPECIFICS ON WALL REQUIREMENTS. SEE "ANCHORING DETAIL TO ICF/CONCRETE WALL" DIAGRAM 5-D6.

## TOP VIEW OF GROWING SPACES PROVIDED FOUNDATION WALL ON 12" ICF FOUNDATION

